

## Text example

Compile and tender according to requirements.  
Please refer to Technical Data below for respective details.  
Updated 01.01.2009

Position	No. of pieces	Item	Unit price €	Total price €
		Ready-to-install up-and-over garage door DL. Single-leaf element. Type of handling: Behind the opening. Door leaf filling: Galvanized, vertically ribbed sheet steel, powder coated similar to RAL 9016 (traffic white). 3-sided galvanized block frame with ceiling runner rail. Lateral lever arms with 3-fold spring system and finger pinch protection. Lateral plastic cover strips. Lateral locking with special plastic catches. Special lock with profile half cylinder and plastic round handle set with pull cord. 2 plastic rollers Ø 50 mm. "Teckentrup DL" or equivalent.		



## Technical data

**Product:** Up-and-over garage door DL

**Installation in:**

- Masonry
- Concrete

**Dimensions:** Width: 1750 – 3000 mm  
Height: 1875 – 2500 mm

**Handling:**

- Pre-assembled up-and-over garage door for handling behind or in the opening.

**Door leaf:** Door leaf frame: 3-sided galvanized block frame  
Reinforcement: 2 reinforcements, 1 mm thick  
Filling:

- Ribbed door: Galvanized sheet steel, vertically ribbed, optionally horizontally ribbed.
- Panelled door (Georgian/cassette) made of galvanized thin sheet.
- Panelled door: Galvanized sheet steel 1 mm thick.
- Wooden door: Type of wood, vertical Norway spruce, optionally horizontal or fishbone, door leaf frame without plinth

Special equipment:  
Filling: Steel panels with ventilation openings, corrugated grille  
Horizontal Norway spruce panels,  
Wooden fishbone panels with mullion

**Door leaf thickness:** 50 mm

**Frame:** 3-sided galvanized block frame with ceiling runner rail. Block frame with groove and PVC contact strip. Lateral lever arms with 3-fold spring system and finger pinch protection. Lateral plastic cover strips.  
3 wall anchor plugs on each side and 1 x top, 2 threshold anchors

**Surface:**

- Ribbed/Panelled door: Powder coated traffic white, similar to RAL 9016 or dark brown (RAL 8014). Other RAL colours at additional charge.
- Panelled door (Georgian/cassette) woodgrain design surface, powder coated traffic white, similar to RAL 9016 or dark brown (RAL 8014). Other RAL colours at additional charge.

Special equipment: Ribbed, panelled door:  
Additionally prime coated in RAL of your choice.  
(Avoid dark colours for doors subject to direct sunlight, since cracks and warpage of the door leaf cannot be completely prevented.) Pearl-effect, fluorescent and metallic colours are only possible after individual clarification.

- Wooden door: Type of wood, vertical Norway spruce, optionally horizontal or fishbone, door leaf frame without plinth, powder coated traffic white, similar to RAL 9016 or dark brown (RAL 8014). The wood has been factory protected against fungal decay, decay and wood pests with a colourless impregnating solution. Final treatment is carried out by the customer with a final protective coat.

**Fittings:**

- Spring-loaded special lock with profile half cylinder, lateral Lock with special plastic catches.
- Black plastic round handle with pull cord
- 2 rollers Ø 50 mm, 12 mm wide

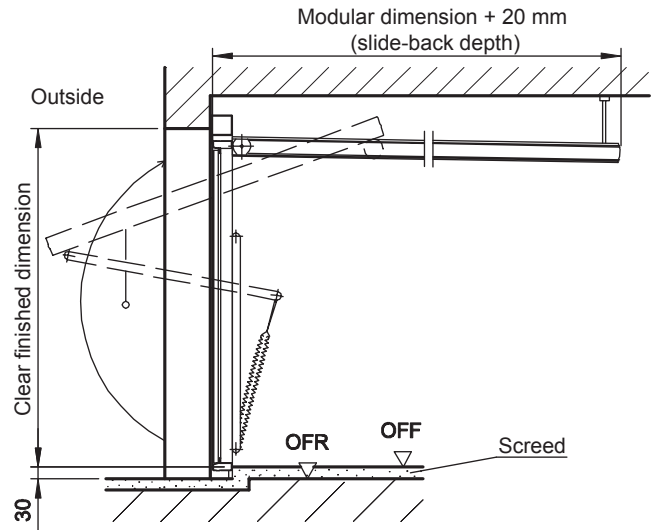
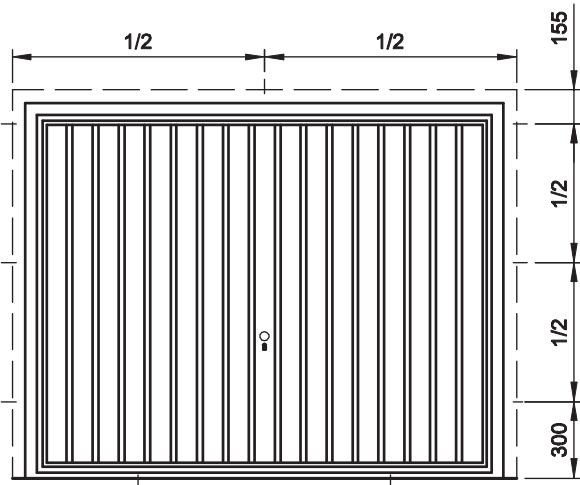
**Special equipment:**

- Wicket door (outward opening), Specify type of handling!
- Garage door drive, radio control with handheld transmitter, key holder
- Lock set for vertical locking with electric drive (vertical locking for version with wicket door)
- Lock set for horizontal locking with electric drive – retrofit kit
- Header casing max. 500mm the same as door leaf
- Third lock

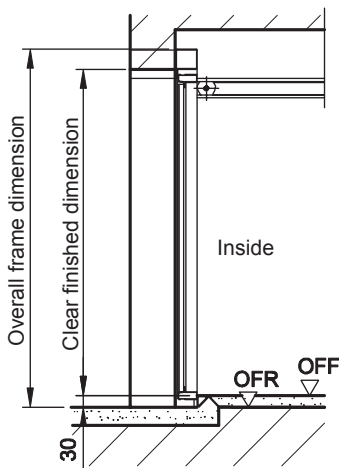
### Standard sizes:

Ordering dimensions/ Modular dimensions width x height	Clear opening dimensions width x height
2250 x 1920	2115 x 1785
2250 x 2000	2115 x 1865
2250 x 2075	2115 x 1940
2250 x 2125	2115 x 1990
2375 x 1920	2245 x 1785
2375 x 2000	2245 x 1865
2375 x 2075	2245 x 1940
2375 x 2125	2245 x 1990
2375 x 2250	2245 x 2115
2375 x 2375	2245 x 2240
2500 x 1920	2365 x 1785
2500 x 2000	2365 x 1865
2500 x 2075	2365 x 1940
2500 x 2125	2365 x 1990
2500 x 2250	2365 x 2115
2500 x 2375	2365 x 2240
2500 x 2500	2365 x 2365
2625 x 2125	2490 x 1990
2750 x 2000	2615 x 1865
2750 x 2125	2615 x 1990
3000 x 2000	2865 x 1865
3000 x 2125	2865 x 1990

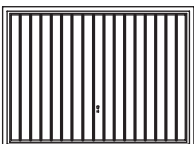
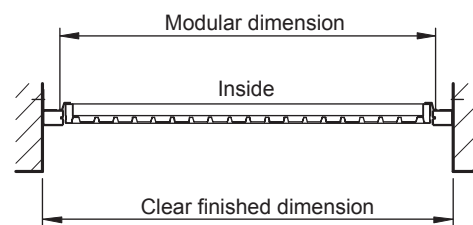
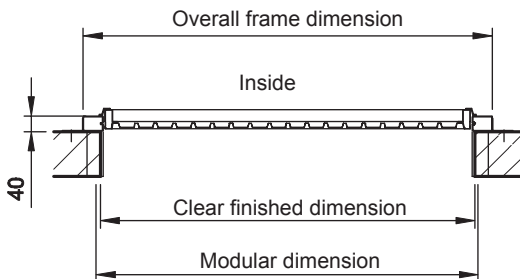
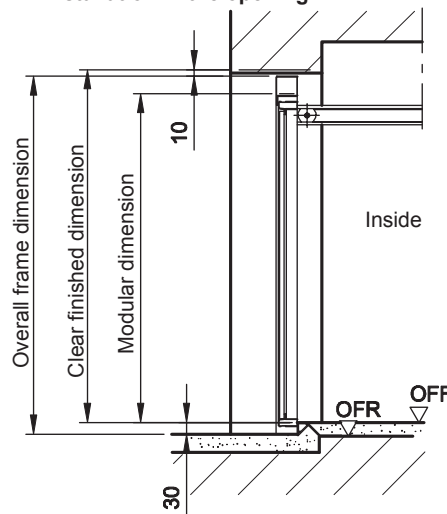
**Special sizes:** From 1750 x 1875 mm to 2750 x 2500 mm or 3000 x 2375 mm



Installation behind the opening



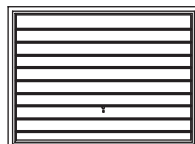
Installation in the opening



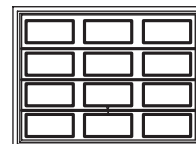
Steel, ribbed, galvanized, powder coated and prime coated



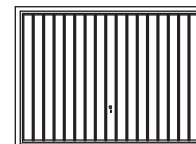
Steel, galvanized panel powder coated and prime coated



Steel, horizontally ribbed, galvanized powder coated and prime coated



Steel, galvanized panel (Georgian/cassette) powder coated and prime coated



Wood filling Norway spruce

### Text example

Compile and tender according to requirements.  
Please refer to Technical Data below for respective details.  
Updated 01.01.2009

Position	No. of pieces	Item	Unit price €	Total price €
		Up-and-over garage door DF Single-leaf element. Type of handling: Behind the opening. Door leaf filled with vertically ribbed galvanized sheet steel. Powder coated, similar to RAL 9016 (traffic white). Corner frame with L-shaped profile at the side and Z-shaped profile at the top. With galvanized lower threshold profile 40 x 3. 6 wall anchor plugs on each side. Multiple spring system, plastic support. Door fittings: Spring-loaded special lock with downward locking profile half cylinder, black plastic round handle with pull cord. 2 rollers, rubber coated. "Teckentrup DF" or equivalent.		



### Technical data

**Product:** Up-and-over garage door DF

**Installation in:**

- Masonry
- Concrete

**Dimensions:** Width: max. 3750 mm or 5000 mm  
Height: max. 2750 mm, depending on the door width (see price list table)

**Handling:**

- Pre-assembled up-and-over garage door for handling behind or in the opening.

**Door leaf:**

Door leaf frame: 4-sided galvanized special hollow profile 75 x 36 x 2 mm,  
Reinforcement: 2 reinforcements, 2.5 mm thick

- Ribbed door: Galvanized sheet steel, vertically ribbed, optionally horizontally ribbed or infill provided by the customer
- Panelled door (Georgian/cassette) Made of galvanized thin sheet.
- Panelled door: Galvanized sheet steel 1 mm thick.
- Wooden door: Type of wood, vertical Norway spruce, optionally horizontal or fishbone, door leaf frame without plinth

Special equipment:

Filling: Steel panels with ventilation openings, corrugated grille  
Horizontal spruce panels, wooden fishbone panels with mullion

**Door leaf thickness:** 75 mm

**Frame:** Corner frame with L-shaped profile at the side and Z-shaped profile at the top. With galvanized lower threshold bracket 40 x 3. 6 wall anchor plugs on each side and 3 x at the top. 3 threshold anchors.

Special equipment:  
U-shaped frame (block frame)

**Surface:**

- Ribbed/Panelled door: Powder coated traffic white, similar to RAL 9016 or dark brown (RAL 8014). Other RAL colours at additional charge.
- Panelled door (Georgian/cassette) woodgrain design surface, powder coated traffic white, similar to RAL 9016 or dark brown (RAL 8014). Other RAL colours at additional charge.

#### Special equipment:

- Ribbed, panelled door: Additionally prime coated in RAL of your choice. (Avoid dark colours for doors subject to direct sunlight, since cracks and warpage of the door leaf cannot be completely prevented.) Pearl-effect, fluorescent and metallic colours are only possible after individual clarification.

- Wooden door: Type of wood, vertical Norway spruce, optionally horizontal or fishbone, door leaf frame without plinth, powder coated traffic white, similar to RAL 9016 or dark brown (RAL 8014). The wood has been factory protected against fungal decay, decay and wood pests with a colourless impregnating solution. Final treatment is carried out by the customer with a final protective coat.

#### Fittings:

- 1 downward locking special lock
- 1 profile half cylinder 30.5 + 10 mm
- Plastic round handle, black
- 1 pull cord
- 2 rollers, rubber coated

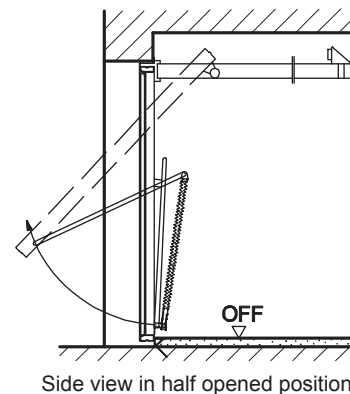
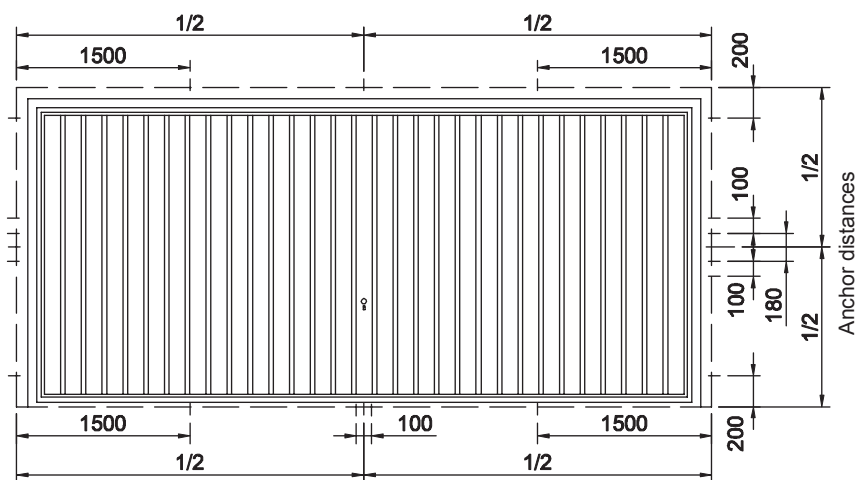
#### Special equipment:

- Wicket door (outward opening), Specify type of handling!
- Garage door drive, radio control with hand-held transmitter and key holder
- Lock set for vertical locking mechanism with electric drive (vertical locking mechanism for version with wicket door)
- Vertical bars

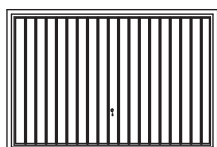
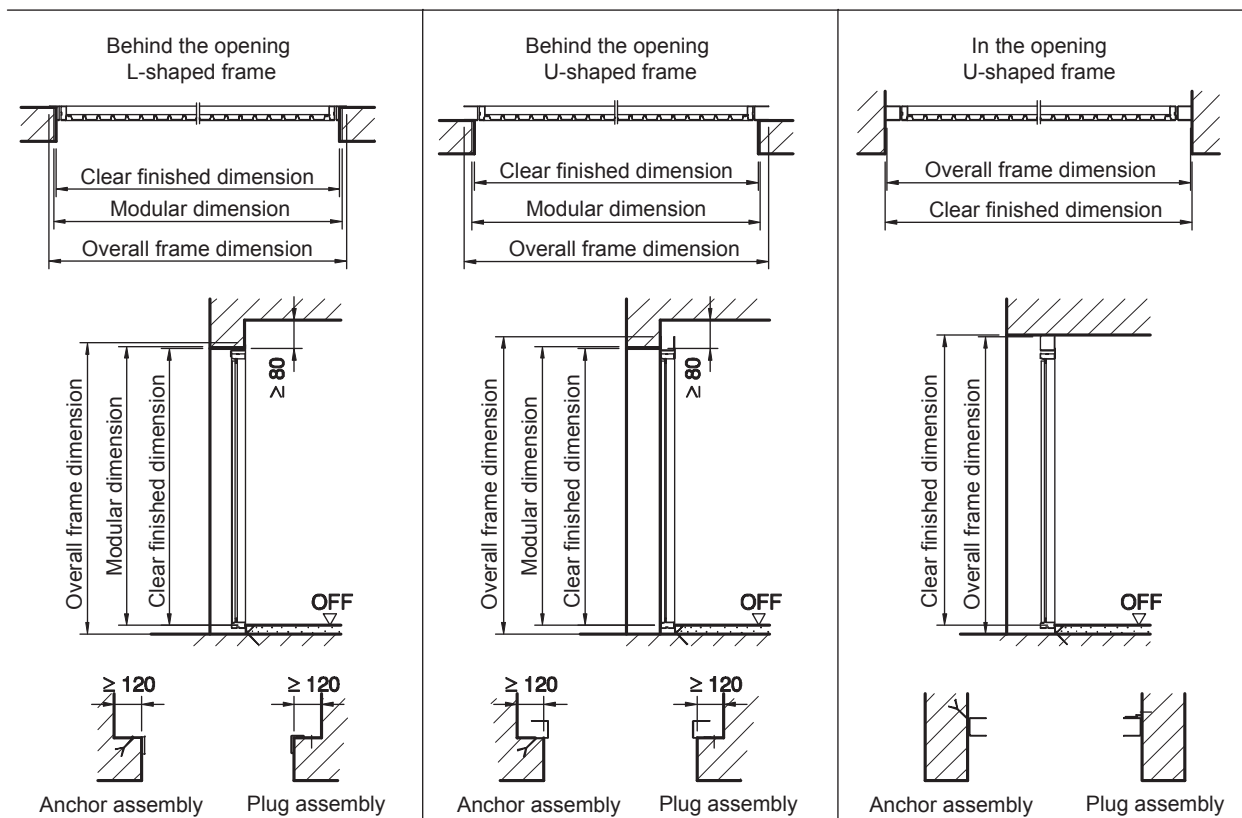
#### Standard sizes:

Ordering dimensions	Installation behind the opening		Installation in the opening
	L-shaped frame	U-shaped frame	U-shaped frame
Modular dimensions width x height	Clear opening dimensions width x height	Clear opening dimensions width x height	Clear opening dimensions width x height
4000 x 2000	3700 x 1770	3700 x 1800	3580 x 1755
4000 x 2125	3700 x 1890	3700 x 1920	3580 x 1880
4500 x 2000	4200 x 1770	4200 x 1800	4080 x 1755
4500 x 2125	4200 x 1890	4200 x 1920	4080 x 1880
4500 x 2250	4200 x 2020	4200 x 2050	4080 x 2005
5000 x 2000	4700 x 1770	4700 x 1800	4580 x 1755
5000 x 2125	4700 x 1890	4700 x 1920	4580 x 1880

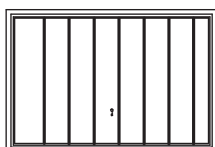
**Special sizes:** From 3000 x 2375 mm to 3750 x 2750 mm or 5000 x 2250 mm



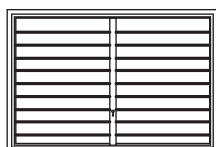
For widths greater than 4 mm two additional anchors at the top and bottom



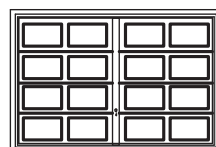
Steel, ribbed, galvanized, powder coated and prime coated



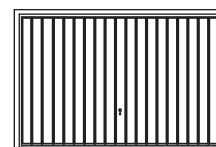
Steel, galvanized panel powder coated and prime coated



Steel, horizontally ribbed, galvanized powder coated and prime coated



Steel, galvanized panel (Georgian/cassette) powder coated and prime coated



Wood filling Norway spruce

### Text example

Compile and tender according to requirements.  
Please refer to Technical Data below for respective details.  
Updated 01.01.2009

Position	No. of pieces	Item	Unit price €	Total price €
		Single-skinned garage door ew-1. Single-leaf element which can be used left/right handed. Outside type of handling. Door leaf made of galvanized hollow profiles, 50 mm thick, 4-sided, with flange for holding the infill. Door leaf with vertically ribbed steel sheet panels and galvanized and powder coated corner frame, similar to RAL 9016 (traffic white). Corner frame, 4-sided. Special lock with lever/knob, prepared for profile cylinder. Black round handle set. 2 two-piece special hinges "ew-1" or comparable.		



### Technical data

**Product:** Garage door ew-1

**Installation in:**

- Masonry
- Concrete

**Dimensions:** Width: 875 – 1250 mm  
Height: 1875 – 2375 mm

**Handling:** Single leaf garage side door. Door can be used DIN left or DIN right, inward and outward opening.

**Door leaf:** Leaf frame made of special hollow profiles 50 mm thick with flange for holding the infills. Two rear reinforcement elements.

Door leaf filled with vertically ribbed galvanized sheet steel, optionally horizontally ribbed, sheet steel

Wooden filling: Type of wood: vertically arranged Norway spruce, optionally horizontal or diagonal, door leaf frame without plinth

Special equipment:  
Filling: Corrugated grille, perforated sheet Ø10x14

**Door leaf thickness:** 50 mm

**Frame:** Corner frame 2 mm thick galvanized and powder coated similar to RAL 9016 (traffic white) or similar to RAL 8014 (dark brown) with seal. With three welded-on wall anchor plugs on each side.

Special equipment:  
Block frame

**Surface:** Door leaf frame/Door leaf filling powder coated similar to RAL 9016 (traffic white) or RAL 8014 (dark brown) other RAL colours at an additional charge. Door leaf filled with panels with woodgrain design surface.

#### Fittings:

- Special hinges due to re-screwing of the hinges, optionally inward or outward opening.
- Special lock prepared for profile cylinder with lever/knob, can be used left/right, black round handle set, (plastic)

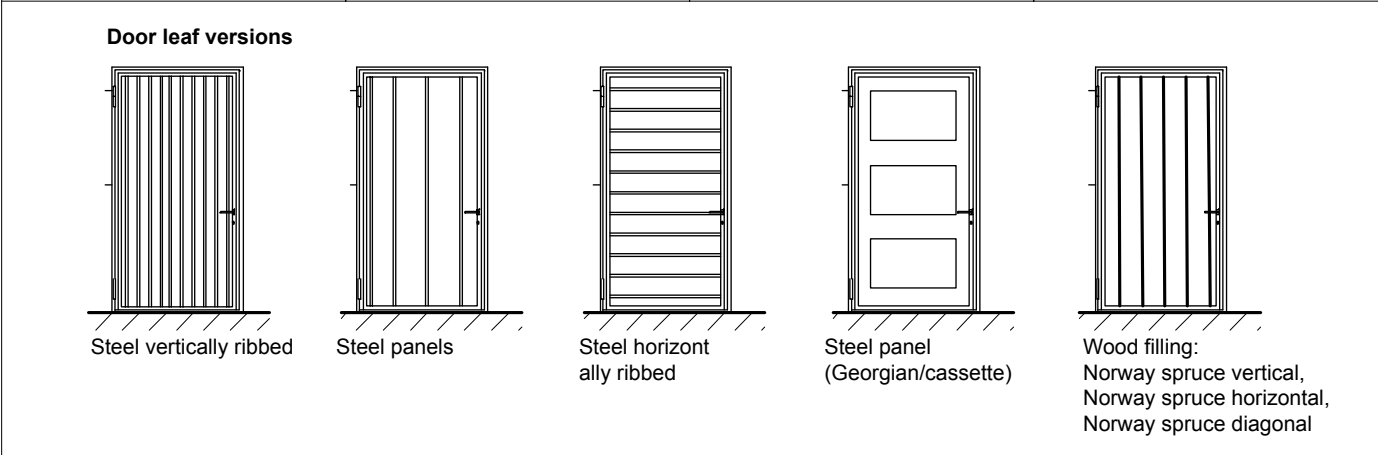
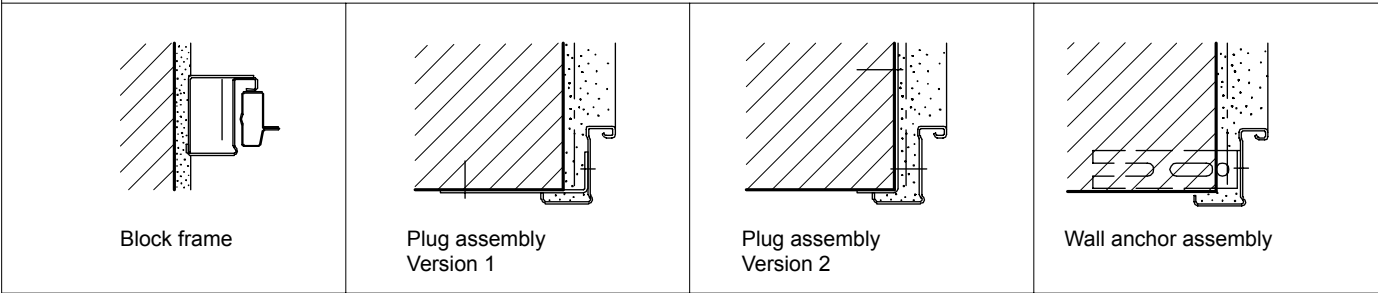
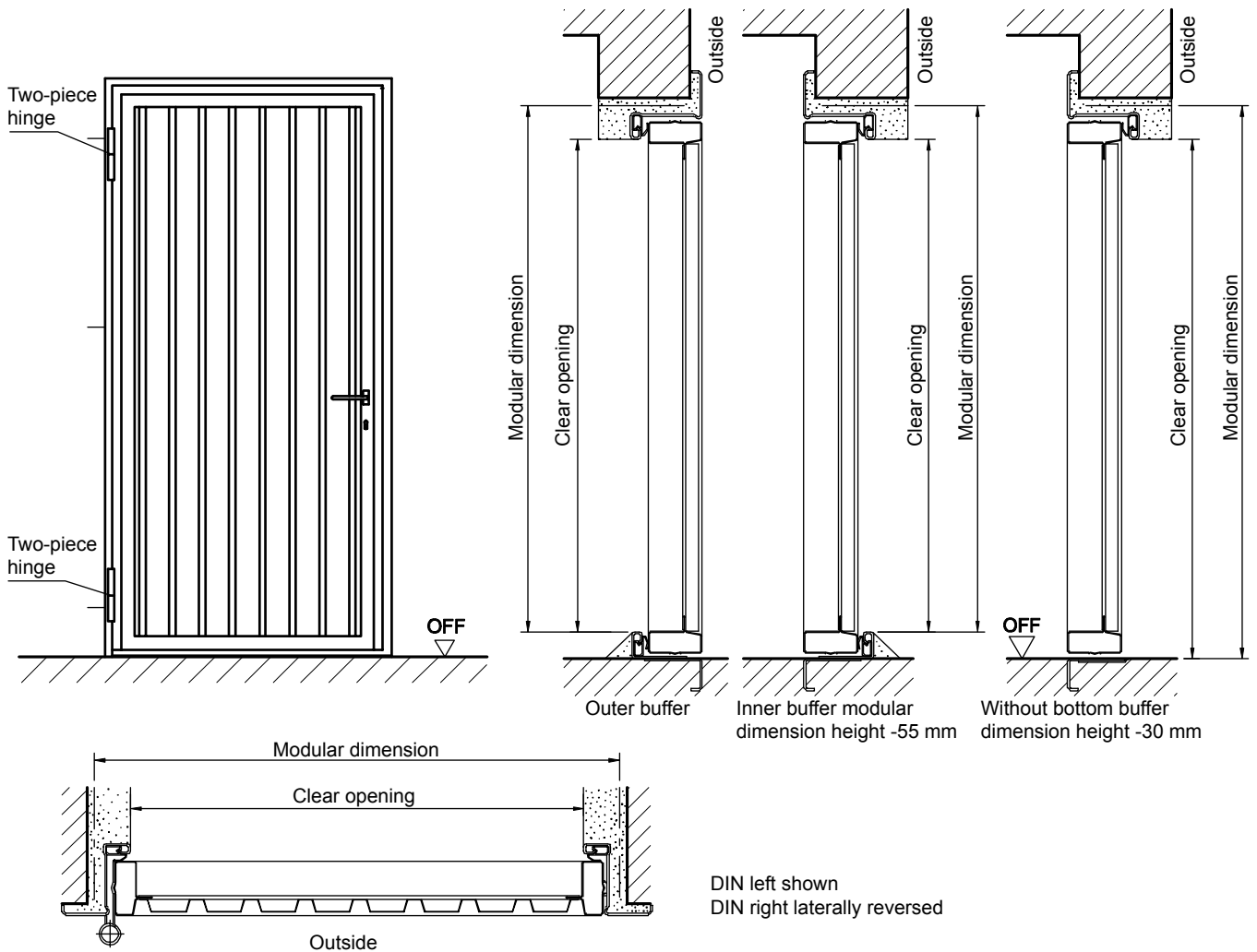
#### Special equipment:

- Profile cylinder (same closing as the up-and-over door type) 30.5 + 30.5 mm

#### Standard sizes:

Ordering dimensions Modular dimensions width x height	Clear opening dimensions width x height	
	With buffer	Without buffer
875 x 1875	809 x 1805	809 x 1835
875 x 2000	809 x 1930	809 x 1960
875 x 2125	809 x 2055	809 x 2085
1000 x 2000	934 x 1930	934 x 1960
1000 x 2125	934 x 2055	934 x 2085

**Special sizes:** Up to 1250 x 2375 mm



## Text example

Compile and tender according to requirements.  
Please refer to Technical Data below for respective details.  
Updated 01.01.2009

Position	No. of pieces	Item	Unit price €	Total price €
		Single-skinned garage door ew-2. Double-leaf element. Outside type of handling. Door leaf frame made of special hollow profiles 50 mm thick with flange for holding the infill. Two rear reinforcement elements. Door leaf with vertically ribbed sheet steel panels and galvanized and powder coated corner frame, similar to RAL 9016 (traffic white). Corner frame, 4-sided. Special lock with lever/knob, prepared for profile cylinder. Black round handle set (plastic). 4 two-piece special hinges "ew-2" or equivalent.		



## Technical data

**Product:** Garage door ew-2

**Installation in:**

- Masonry
- Concrete

**Dimensions:** Width: 1350 – 2500 mm  
Height: 1750 – 2250 mm

**Handling:** DIN links outside/inside  
DIN right outside/inside

**Door leaf:** Leaf frame made of special hollow profiles 50 mm thick with flange for holding the infill. Two rear reinforcement elements.

Door leaf filled with vertically ribbed galvanized sheet steel, optionally horizontally ribbed, sheet steel

Special equipment:  
Filling: Corrugated grille, perforated sheet Ø10x14

**Door leaf thickness:** 50 mm

**Frame:** Corner frame 2 mm thick galvanized and powder coated similar to RAL 9016 (traffic white) or similar to RAL 8014 (dark brown) with seal. With three welded-on wall anchor plugs on each side.

Special equipment:  
Block frame

**Surface:** Door leaf frame/Door leaf filling powder coated similar to RAL 9016 (traffic white) or RAL 8014 (dark brown) other RAL colours at an additional charge. Door leaf filled with panels with woodgrain design surface.

### Fittings:

- 4 special hinges
- Special lock prepared for profile cylinder with lever/knob, can be used left/right, black round handle set, (plastic)
- With 2 door leaf fixing devices at the header and two security bolts on each side

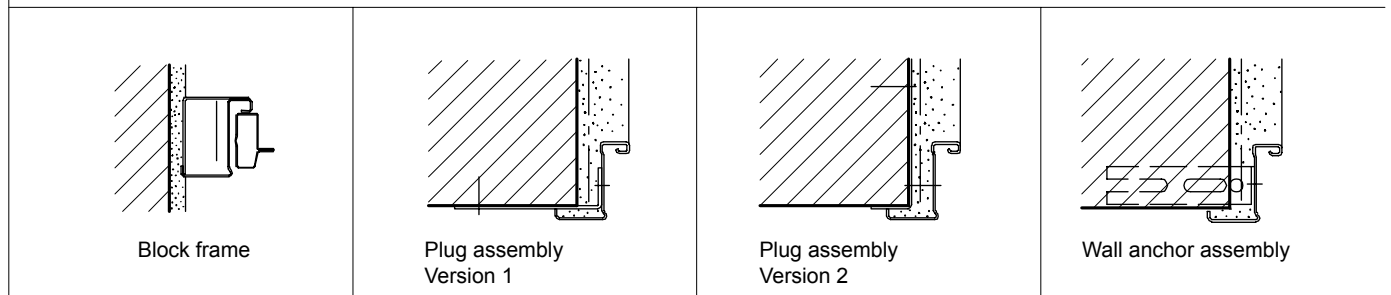
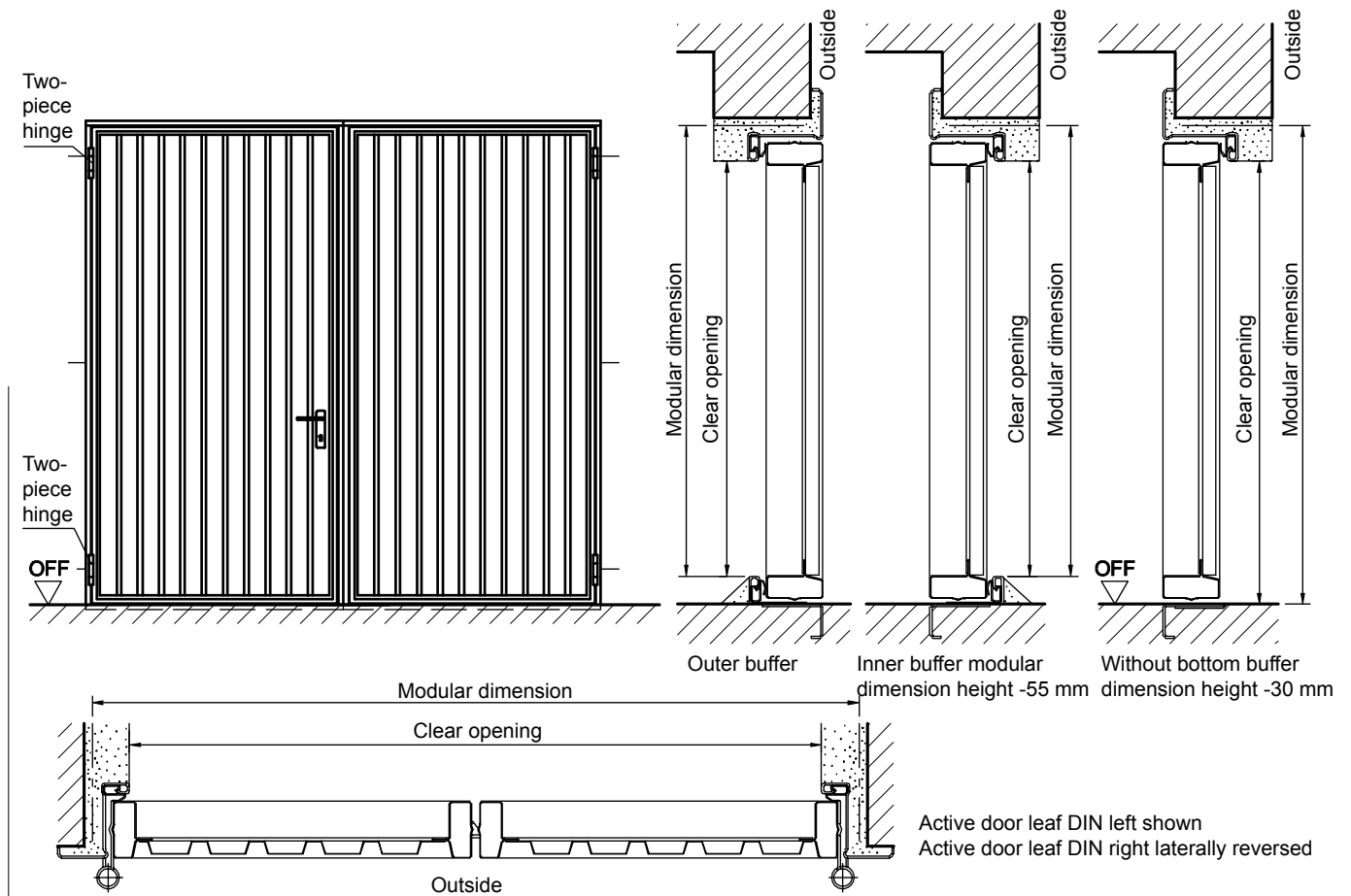
### Special equipment:

- Profile cylinder (same closing as the up-and-over door type) 30.5 + 30.5 mm

### Standard sizes:

Ordering dimensions Modular dimensions width x height	Clear opening dimensions width x height	
	With buffer	Without buffer
2000 x 2000	1934 x 1930	1934 x 1930
2000 x 2125	1934 x 2055	1934 x 2055
2250 x 2250	2184 x 2180	2184 x 2180
2500 x 2125	2434 x 2055	2434 x 2055

**Special sizes:** From 1350 x 1750 to 2500 x 2250 mm



**Door leaf versions**

